

TWO WIDTH PATENTED HOUSING FOR INTERFACE UNITS, MINI SERIES, ARE AVAILABLE IN TWO WIDTH (MM68- MM72) SUITABLE FOR MONTING ON DIN-EN 50022-50035 RAIL. AVAILABLE MADE TO MESURED COVERS FOR THE PROTECTION OF THE PC BOARDS MADE OF CLEAR OR BLIND POLICARBONATED. THE SELF-EXTINGUISHING (UL94) REST ARE DISPOSABLE IN GREEN (RAL 6017), GREY (RAL 7035) OR BLACK (RAL 7021).

Laterale mm 12,25
Side mm 12,25
Spazio utile mm 11,25
Usable space mm 11,25
cod. 72/12/L

Intermedio mm10,25
Mid mm 10,25
cod. 72/10

Intermedio mm22,25
Mid mm 22,25
cod. 72/22

Intermedio mm11,25
Mid mm 11,25
cod. 72/11

Intermedio mm45
Mid mm 45
cod. 72/45

Laterale: interno mm22,5
Side: internal mm 22,5
cod. 72/22/L

Laterale: interno mm20,5
Side: internal mm 20,5
cod. 72/20/L

Aggancio
Rail foot
cod. 72/A

Laterale mm 11,25
Side mm 11,25
Spazio utile mm 10,25
Usable space mm 10,25
cod. 72/11/L

Disponibile anche con guida schede
Also available with guide card
cod. 72/11/LG

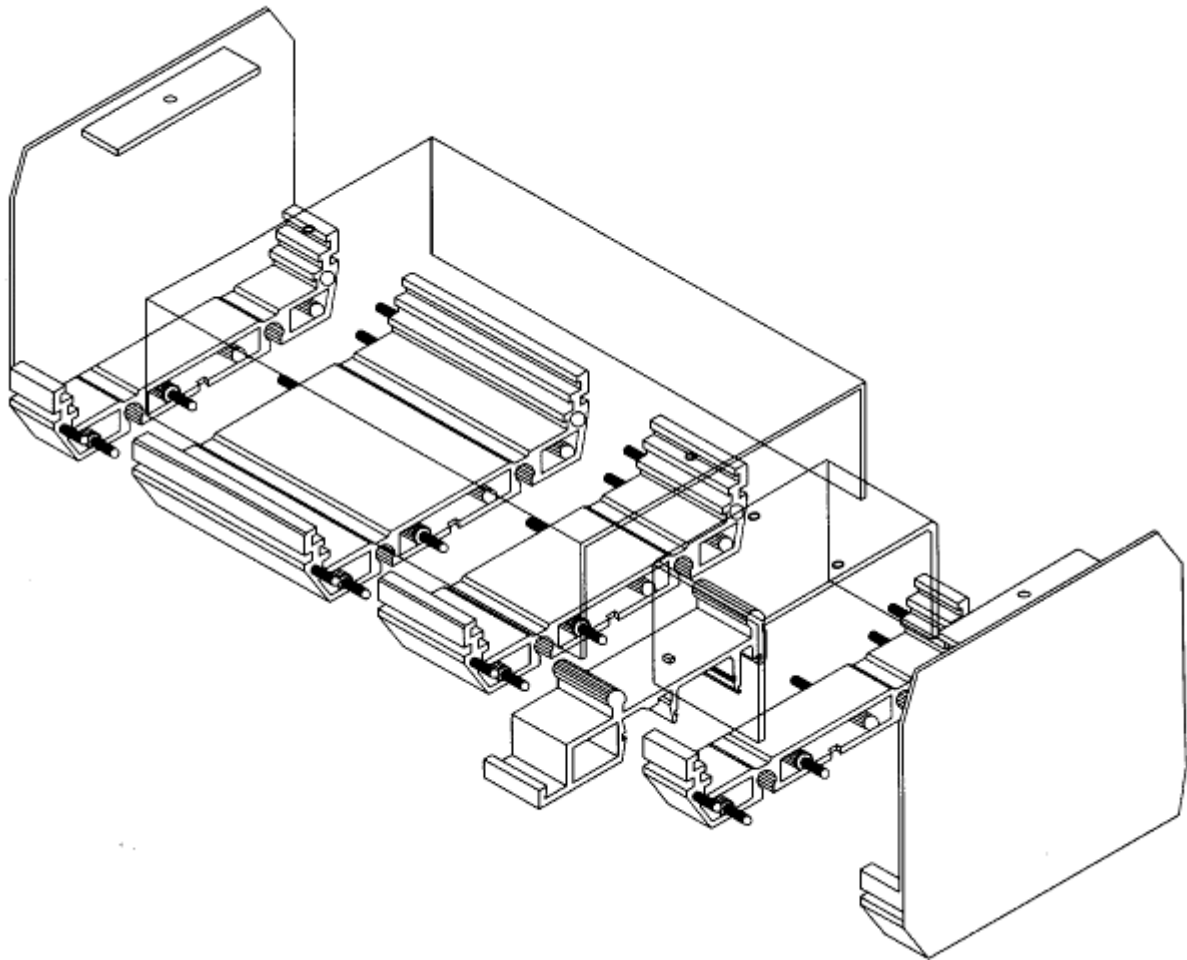
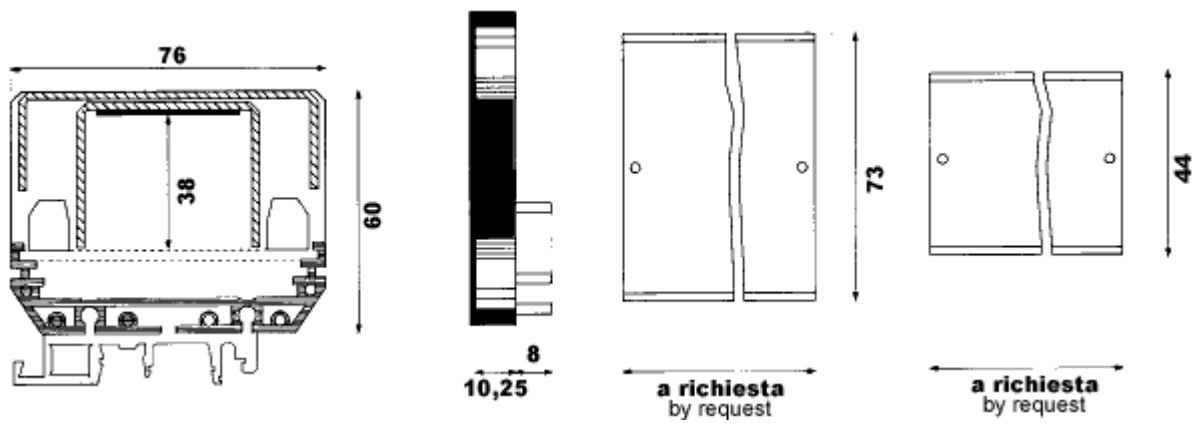
Laterale: interno mm45
Side: internal mm45
cod: 72/45/L

Covers are made in size by request, clear, black or coloured
LATERAL

72/11/LA

72/CO/A

72/CO/B



Edged 2 meters

